

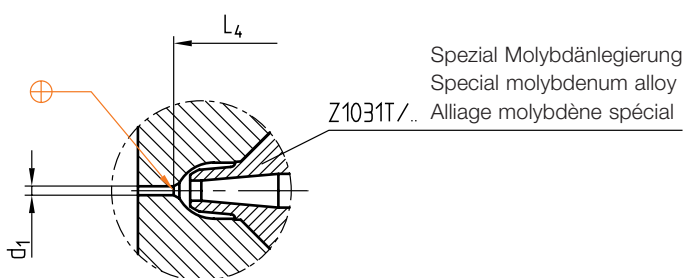
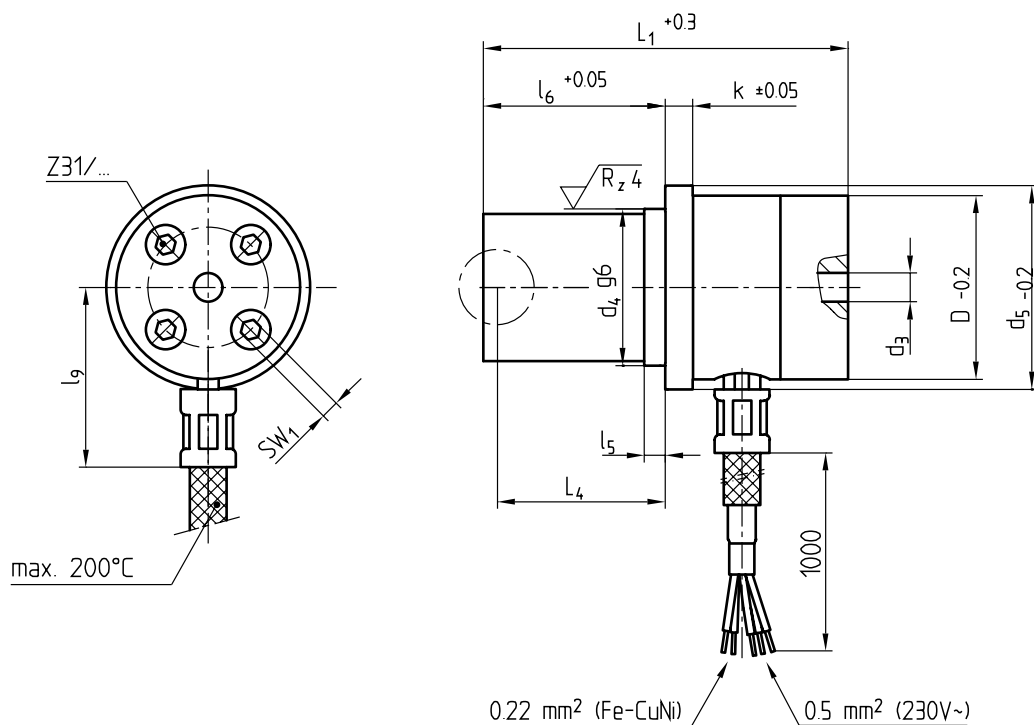
Z 103 RT/...

230 V~

⎯⁺ = Fe-CuNi



► Info



| SW ₁ | max. °C | Watt | k | d ₅ | d ₄ | d ₃ | l ₉ | l ₅ | l ₆ | L ₄ | Typ | D | L ₁ | d ₁ | Nr./No. |
|-----------------|---------|------|---|----------------|----------------|----------------|----------------|----------------|----------------|----------------|--------|----|----------------|----------------|-------------------|
| 2,5 | 360 | 315 | 4 | 38 | 25 | 3,5 | 40 | 4 | 35 | 32 | ..32.. | 32 | 64 | 1,5 | Z103RT/32x 64/1,5 |
| 4 | | 400 | 5 | 44 | 28 | 5 | 41 | | 44 | 41 | ..38.. | 38 | 78 | 2 | 38x 78/2 |
| 5 | | | 6 | 52 | 35 | 6 | 49 | | 61 | 56 | ..45.. | 45 | 93 | 3 | 45x 93/3 |
| 6 | | | 8 | 62 | 42 | 7 | 51 | 5 | 74 | 68 | ..56.. | 56 | 118 | 3,5 | 56x118/3,5 |

This is trial version
www.adultpdf.com